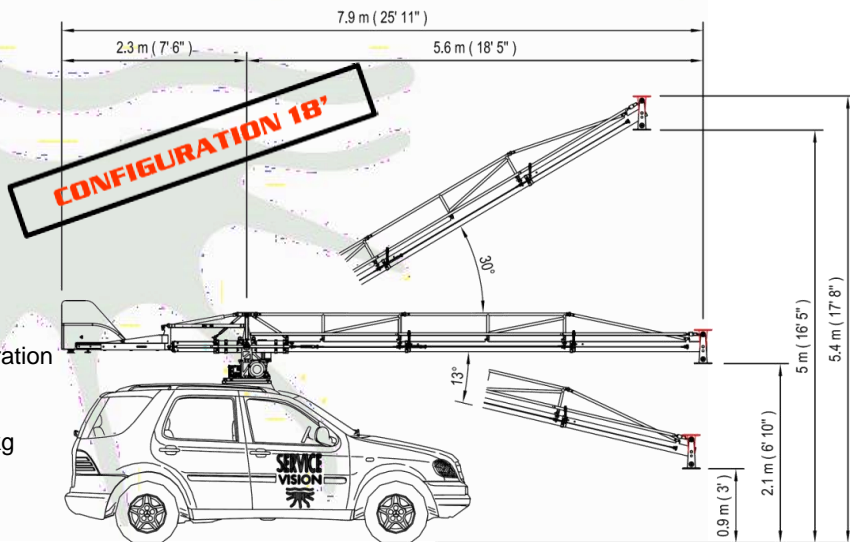
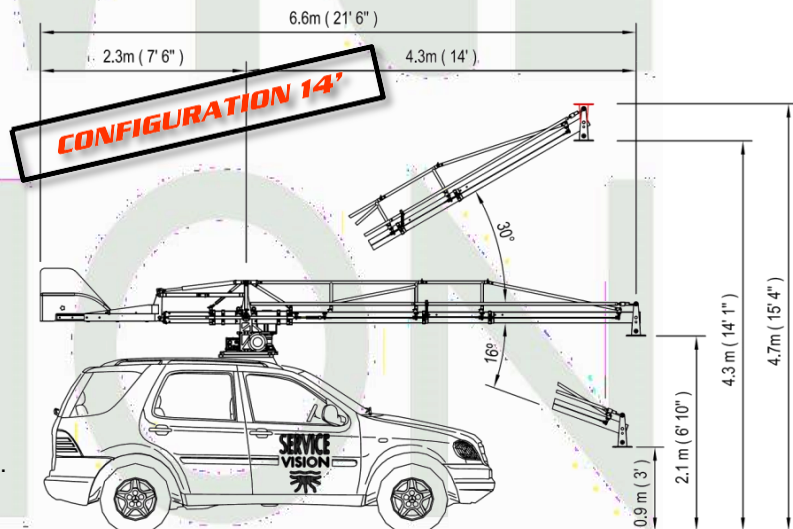


Features:

- Gyro stabilization in the TILT axis.
- Available different arm configurations: 12', 14', 18'.
- Waterproof.
- Limits, speed and damping control are available from the control desk.
- Controlled from joystick situated inside the car.
- Send the position of each axis constantly like a Motion Capture.
- Record and repeat all movements of each axis like a Motion Control.
- Go to a fixed position with switch for safety purposes.
- PAN and TILT motors are the same.
- Powered by 36V batteries.
- PAN speed: 5.5 s/rev
- Maximum Payload: 70kg (154 lbs).
- Max. Weight with maximum payload and standard configuration (12'): 365kg (805 lbs).
- Total weight without payload and counterweight (12'): 175kg (385 lbs)



SERVICEVISION BIS S.L.

Calle Ríos Rosas, 20
08940 Cornellà de Llobregat
Barcelona, Spain
Phone +34 93 2238630
Fax +34 93 2238631
comercial@servicevision.es
www.servicevision.es

