



"The longest arm of the Scorpio light series"



The NEW **Scorpio 35'** is a four section light telescopic crane for payloads until 40 kg in both under and over slung. Fast, silent and very smooth it is ideal for the television and broadcast market or the film market with light payloads. By reducing the payload capacity, **Servicevision** designed the new **Scorpio 35'** as a much lighter crane compering to the popular **Scorpio 38'** (for 70 kg payload). This lighter arm allows it to be supported in the same column and same adjustable dolly as the **Scorpio 23'**. The **Scorpio 35'** is the first light crane that incorporates the dynamic counterweight system to ensure the perfect balance of the arm on any position.

New features:

- **Scorpio Crane** and **Scorpio Head** INTERFACE.

Interfacing possibility between **Scorpio Head** and **Scorpio Crane**, allowing us to perform back-pan and targeting, where the head will follow a target previously chosen by setting the distance, according to the movements of the crane (pan, tilt and telescopic movements). It is also possible the synchronization for the memory menus.

- **Focus Tracking:**

Using a **Scorpio Focus** system it is also possible to keep the focal distance at the same point regardless the movement of the arm. This function can be combined with the **Scorpio Head & Scorpio Crane** Interface to ensure that the target point is always on frame and sharp.

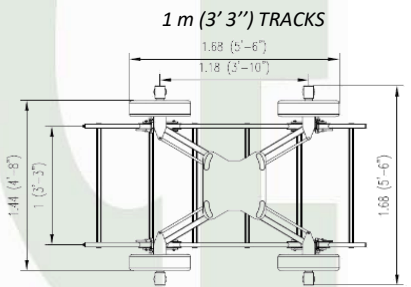
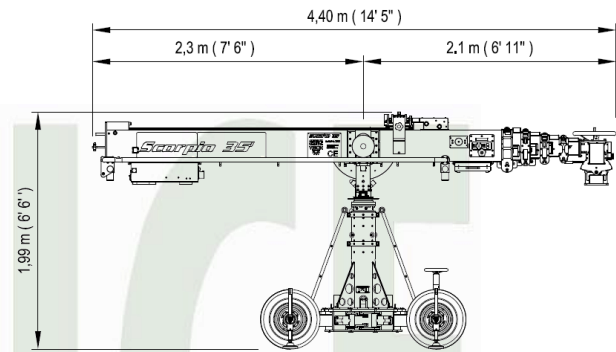
This new features are available now for any **Scorpio** crane.

As every **Scorpio** telescopic crane, the new **Scorpio 35'** preserves the excellence of its bigger brothers

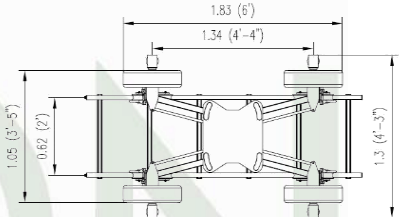


Features

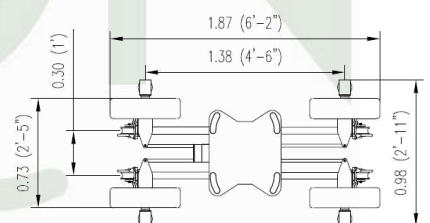
- Dynamic Counterweight System: Electronic adjust for the counterweight support activated automatic or by the hand command.
- The arm-fulcrum, as the column or the dolly are totally independents from each other. It's possible to assembly the arm (fulcrum included) in other column or dolly for special needs.
- Automatic compensator of the arc generated by the movement of the arm in both horizontal and vertical motions.
- Programmable limits on the telescopic movement of the arm.
- Movement generator of the telescopic arm in relation to the horizontal or vertical movement.
- Arm speed adjustable and displayed on the screen.
- Arm stop damping adjustable and displayed on the screen.
- Overslung and Underslung capability
- Screen display of the arm range, vertical and horizontal angles, height to the optic axis in meters and feet.
- Programmable stop sequence.
- TILT, PAN and arm encoder reading for the Motion Capture jobs.
- Smooth movement in both high and slow speed.
- Noise reduction system of the telescopic arm movement.
- Mechanical lift for the telescopic column.
- Adjustable width with articulated arms with lockable positions.
- Tracking wheels: Adjustable to all standard track gauges: 0.62 m (2') and 1 m (3' 3'').
- Pneumatic wheels: Adjustable width from 0.735 m (2' 5''), and 1,44 m (4' 8'').
- Removable travelling wheels.
- System for Tracking the camera position in 3D. It is a camera tracking system for virtual studio and augmented reality. Scorpio Cranes, heads and travelling can perform camera tracking with **SYME** and MO-SYS integration systems for real time augmented reality and virtual studio broadcasting.



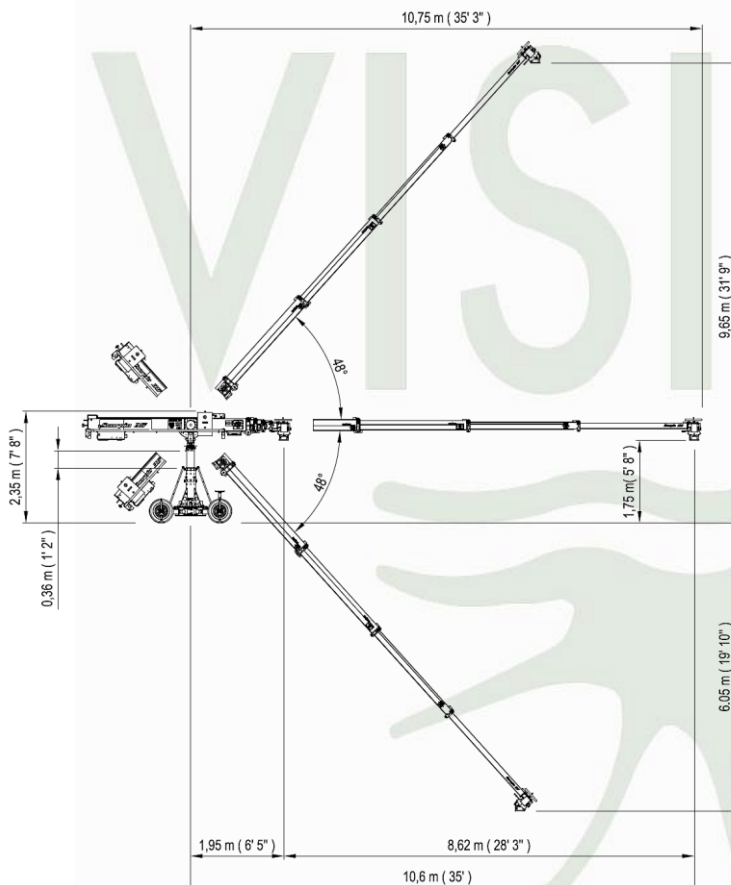
1 m (3' 3'') TRACKS



0,62 m (2') TRACKS



**SMALLEST CONFIGURATION
(FOR TRANSPORT ONLY)**



Technical specifications:

- Maximum length: 10,75 m (35' 3'')
- Minimum length: 2,1 m (6' 11'')
- Back length of the arm: 2,3 m (7' 6'')
- Telescopic range: 8.62 m (28' 3'')
- Loading capacity in under-slung: 40 kg / 88,2 lb
- Loading capacity in over-slung: 40 kg / 88,2 lb
- Required Power: 220V/16A – 110V/16A
- Output Power for the monitor: 12 V / 3 A
- Arm weight: 206kg / 454 lb
- Crane weight (without payload nor CW): 600 kg / 1322.8lb
- Arm speed: 2,6 m/s

SERVICEVISION BIS S.L.

Calle Ríos Rosas, 20
08940 Cornellà de Llobregat
Barcelona, Spain
Phone +34 93 2238630
Fax +34 93 2238631
comercial@servicevision.es
www.servicevision.es



@servicevision



@servicevision_scorpio



@ServicevisionScorpio