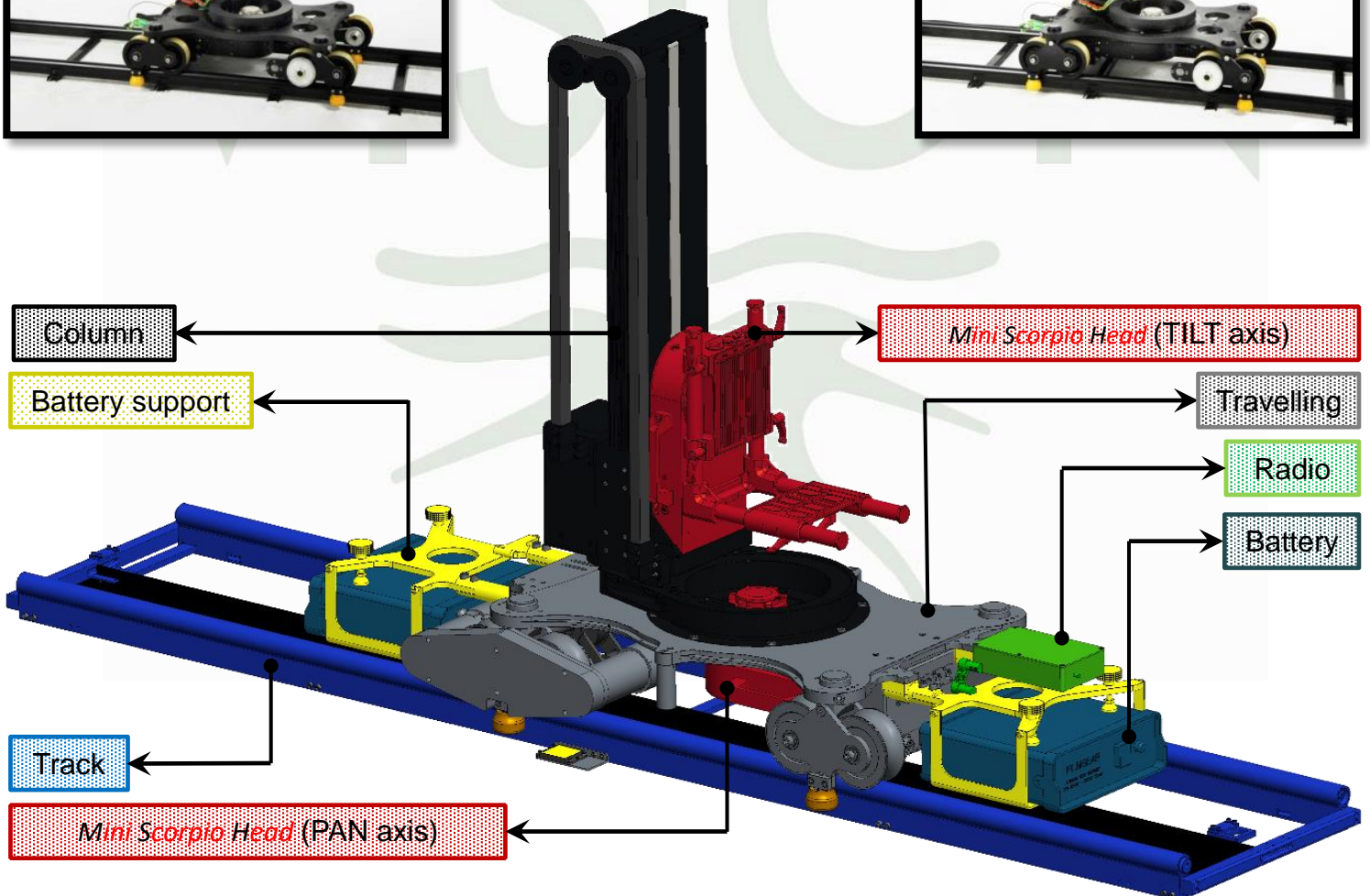




"moving and memorizing camera movements"

Four axis travelling using PAN and TILT from Mini Scorpio Head: Travelling, Column, PAN and TILT controlled by cable or Wireless.

- The design of its column allows us to move the point of view from 50 cm (1' 8") to 170 cm (5' 7") high.
- Recordable and repeatable movements in all axes, including lens control to be able to work like a Motion Control.
- The PAN axis includes a big bearing who allows us to move smooth and high speed the complete column including the TILT and the camera. Like this we have 360 degrees continues in PAN and TILT axes.



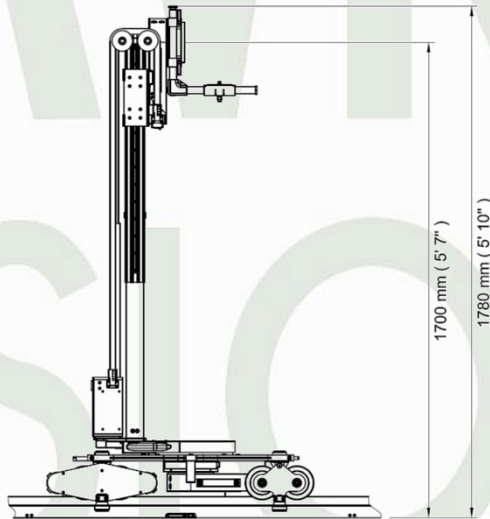
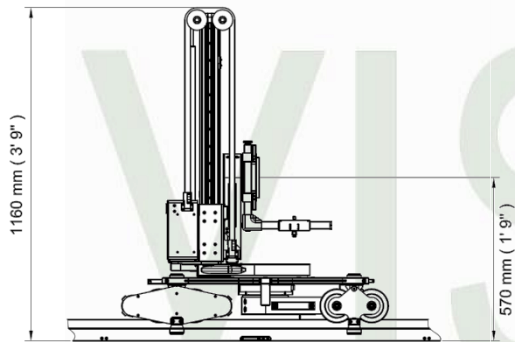
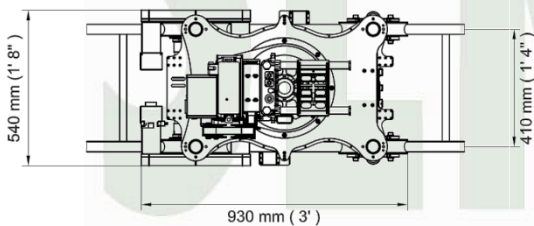


"moving and memorizing camera movements"

Features:

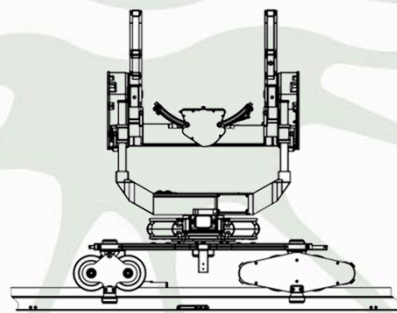
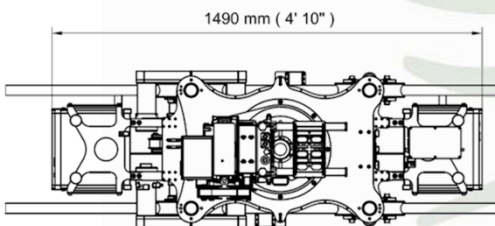
- Limits, speed control and damping control are available from the control desk.
- Powered by power supply or 30 V batteries.
- Controlled by cable until 1 km (0,6 miles) distance or wireless until 500 m (0,3 miles).
- Capable to be controlled by one or two operators from the joystick, handwheels or Pan Bar.
- Included pedal control for the travelling movement.
- 360° free in PAN and TILT axes including Triax and HD signal.
- Travelling in 41 cm (1' 4") tracks with the option to use 62 cm (2") tracks just changing the direction of the travelling wheels.
- Able to run in right tracks o curved tracks.
- The complete column can be removed and becomes a high speed travelling to use on it a *Scorpio Stabilized Head*, the *New Scorpio Stabilized Head* or similar for high speed movements.

Dimensions:



Travelling with batteries

Travelling with the New Scorpio Stabilized Head



SERVICEVISION BIS S.L.
 Calle Ríos Rosas, 20
 08940 Cornellà de Llobregat
 Barcelona, Spain
 Phone +34 93 2238630
 Fax +34 93 2238631
comercial@servicevision.es
www.servicevision.es



@servicevision



@servicevision_scorpio



@ServicevisionScorpio